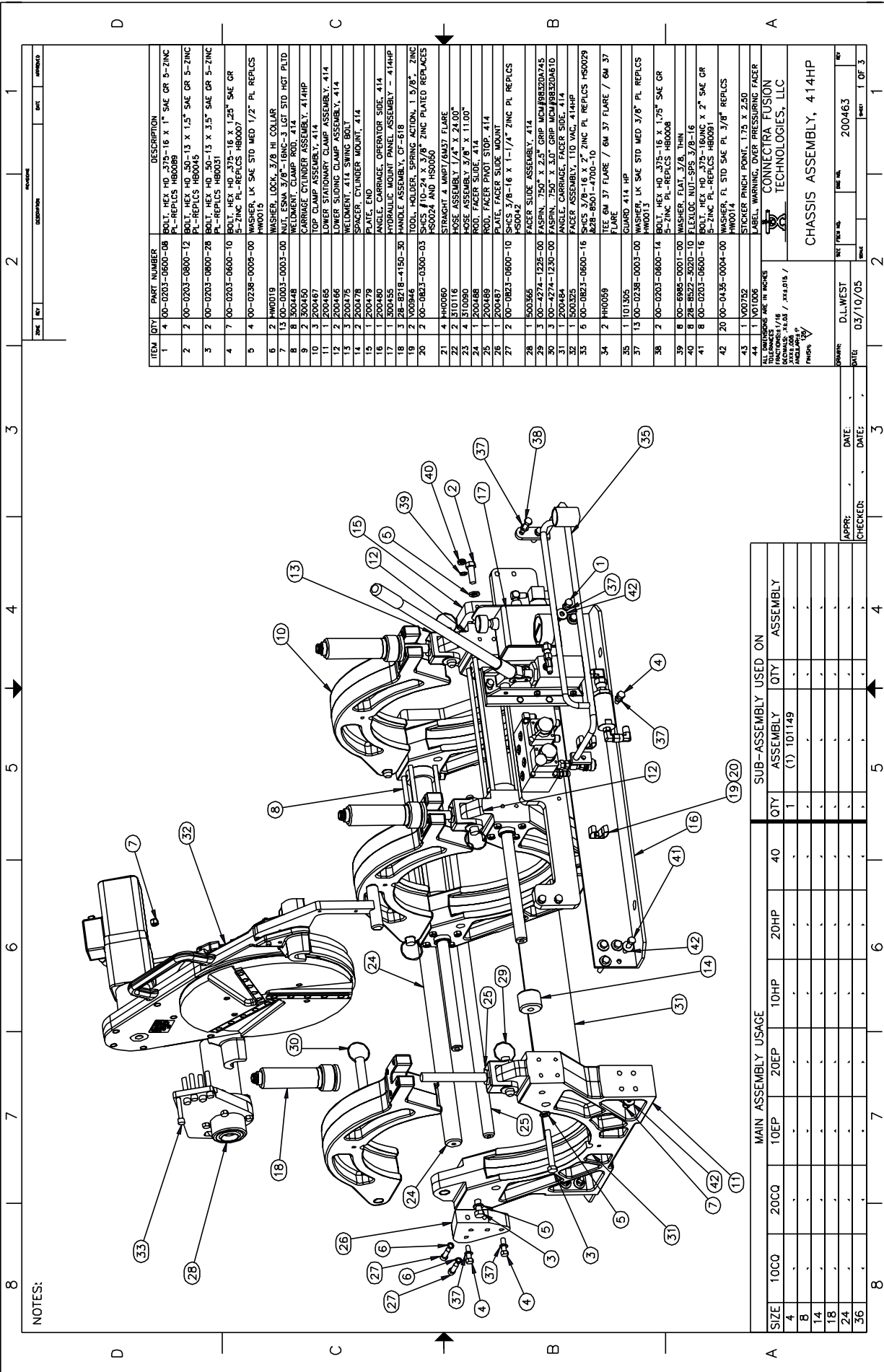


REV	DATE	BY	APP

CONNECTRAO Simply Lubrication	
DATE: 01/25/07	DATE: 10/11/06
CHECKED: L. BROWN	REV: 2 OF 2

DATE: 01/25/07	DATE: 10/11/06
CHECKED: L. BROWN	REV: 2 OF 2



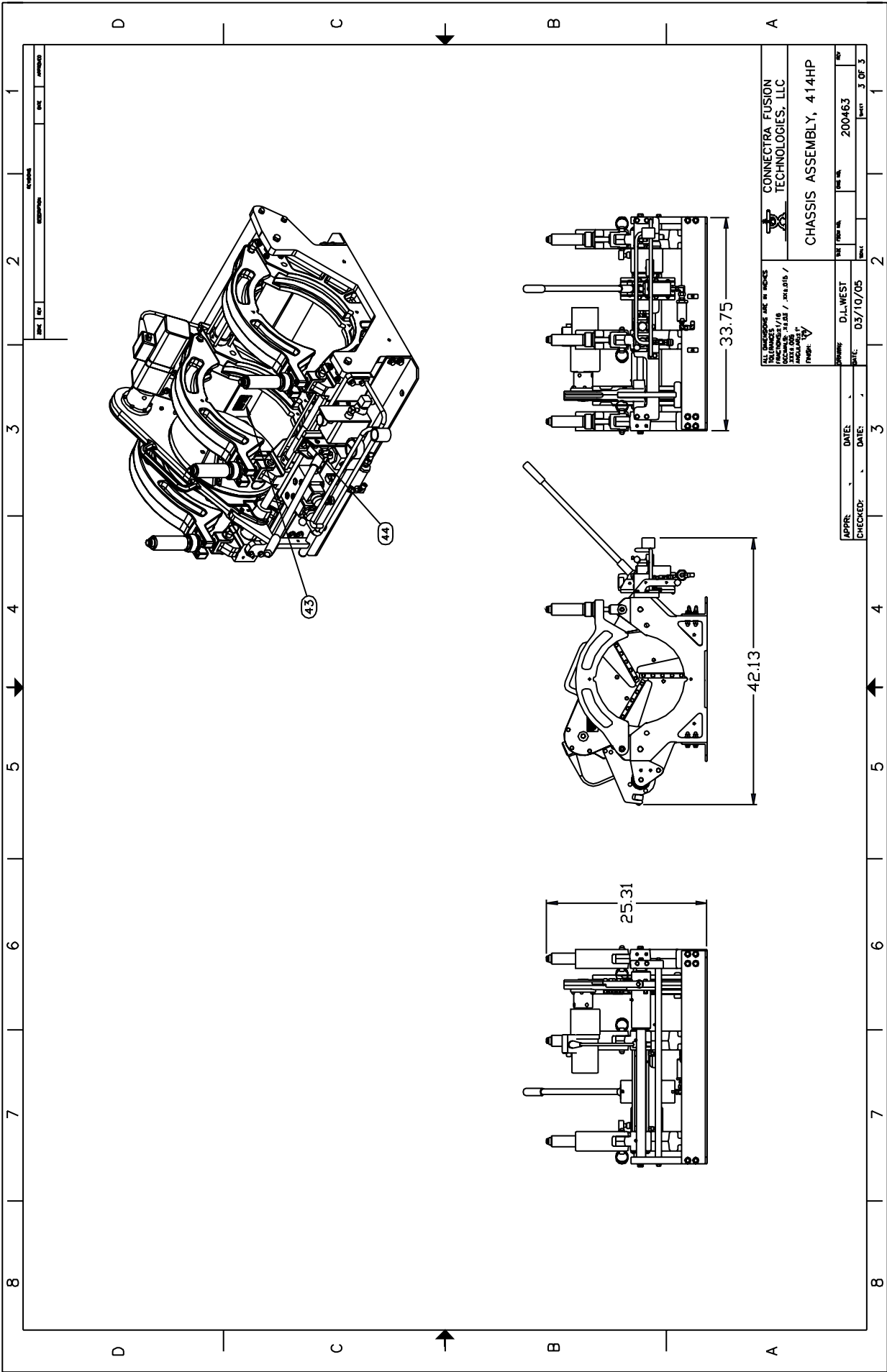
NOTES:

ITEM	QTY	PART NUMBER	DESCRIPTION
1	4	00-0203-0600-08	BOLT, HEX, HD, 3/8" X 1.75" SAE GR 5-ZINC PL.-REPLCS HB0009
2	2	00-0203-0800-12	BOLT, HEX, HD, 5/8" X 1.5" SAE GR 5-ZINC PL.-REPLCS HB0045
3	2	00-0203-0800-28	BOLT, HEX, HD, 5/8" X 1.5" SAE GR 5-ZINC PL.-REPLCS HB0031
4	7	00-0203-0600-10	BOLT, HEX, HD, 3/8" X 1.25" SAE GR 5-ZINC PL.-REPLCS HB0007
5	4	00-0238-0000-00	WASHER, LK SAE STD MED 1/2" PL. REPLCS HB0015
6	2	HM0019	WASHER, LOCK, 3/8 HI COLLAR
7	13	00-0003-0003-00	NUT, ESNA 3/8-16NC-3 LGT STD HGT PLTD WELDMENT, CLAMP ROD, 414
8	2	500448	CARRIAGE, CYLINDER ASSEMBLY, 414HP
9	2	500450	WASHER, FLAT, 3/8, THIN
10	2	500452	WASHER, FLAT, 3/8, THIN
11	2	500454	WASHER, FLAT, 3/8, THIN
12	2	500456	WASHER, FLAT, 3/8, THIN
13	2	500458	WASHER, FLAT, 3/8, THIN
14	2	500475	WELDMENT, 414 SWING BOLT
15	1	200478	SPACER, CYLINDER MOUNT, 414
16	1	200480	PLATE, END
17	1	500455	ANGLE, CARRIAGE, OPERATOR SIDE, 414
18	3	28-8218-4150-30	HYDRAULIC MOUNT PANEL ASSEMBLY - 414HP
19	2	M00946	HANDLE ASSEMBLY, CF-618
20	2	00-0823-0300-03	SHCS #10-24 X 3/8" ZINC PLATED REPLACES HS0024 AND HS0050
21	4	HM0060	STRAIGHT 4 WMBT/837 FLARE
22	2	510116	HOSE ASSEMBLY 1/2" X 24.00"
23	4	200480	HOSE ASSEMBLY 3/8" X 11.00"
24	2	200488	ROD, FINDER PHOTO, ST09, 414
25	1	200487	PLATE, FINDER PHOTO MOUNT
26	2	00-0823-0600-10	SHCS 3/8-16 X 1-1/4" ZINC PL. REPLCS HS0042
27	2	500365	FACER SLIDE ASSEMBLY, 414
28	3	00-4274-1235-00	FASPIN, 750" X 2.5" GRIP MCM#9320A745
29	3	00-4274-1230-00	FASPIN, 750" X 3.0" GRIP MCM#9320A810
30	1	200484	ANGLE, CARRIAGE, FACER SIDE, 414
31	1	500325	FACER ASSEMBLY, 110 VAC, 414HP
32	5	00-0823-0600-16	SHCS 3/8-16 X 2" ZINC PL. REPLCS HS0029
33	1	HM0059	TEE, GM 37 FLARE / GM 37 FLARE / GM 37
34	1	101105	FLARE, 414 HP
35	13	00-0238-0003-00	WASHER, LK SAE STD MED 3/8" PL. REPLCS HB0013
36	2	00-0203-0600-14	BOLT, HEX, HD, 3/8" X 1.25" SAE GR 5-ZINC PL.-REPLCS HB0008
37	8	00-6985-0001-00	WASHER, FLAT, 3/8, THIN
38	8	28-8522-5020-10	FLEXLOC NUT-SPS 3/8-16
39	8	00-0203-0600-16	BOLT, HEX, HD, 3/8" X 1.25" SAE GR 5-ZINC PL.-REPLCS HB0081
40	20	00-0435-0004-00	WASHER, FL STD SAE PL 3/8" REPLCS HB0014
41	1	M00752	STICKER FINCH POINT, 1.75 X 2.50
42	1	M00752	STICKER FINCH POINT, 1.75 X 2.50

MAIN ASSEMBLY USAGE				SUB-ASSEMBLY USED ON			
SIZE	10CC	10EP	20EP	10HP	20HP	40	ASSEMBLY QTY
4	-	-	-	-	-	-	ASSEMBLY
8	-	-	-	-	-	-	ASSEMBLY
14	-	-	-	-	-	-	(1) 101149
18	-	-	-	-	-	-	ASSEMBLY
24	-	-	-	-	-	-	ASSEMBLY
36	-	-	-	-	-	-	ASSEMBLY

CONNECTRA FUSION TECHNOLOGIES, LLC
 CHASSIS ASSEMBLY, 414HP

DATE: 03/10/05
 DRAWN: D.L.WEST
 SHEET: 1 OF 3



REV	DATE	BY	APP'D

ALL DIMENSIONS ARE IN INCHES
 UNLESS OTHERWISE SPECIFIED
 TOLERANCES: F/8 / M/0.015 / J/0.010 / K/0.015 / L/0.010 / P/0.010 / R/0.010 / S/0.010 / T/0.010 / V/0.010 / W/0.010 / X/0.010 / Y/0.010 / Z/0.010
 CONNECTRA FUSION TECHNOLOGIES, LLC
 CHASSIS ASSEMBLY, 414HP

APPR:	DATE:	DATE:	DATE:	DATE:
CHECKED:	DATE:	DATE:	DATE:	DATE:

REV	DATE	BY	APP'D

REV	DATE	BY	APP'D

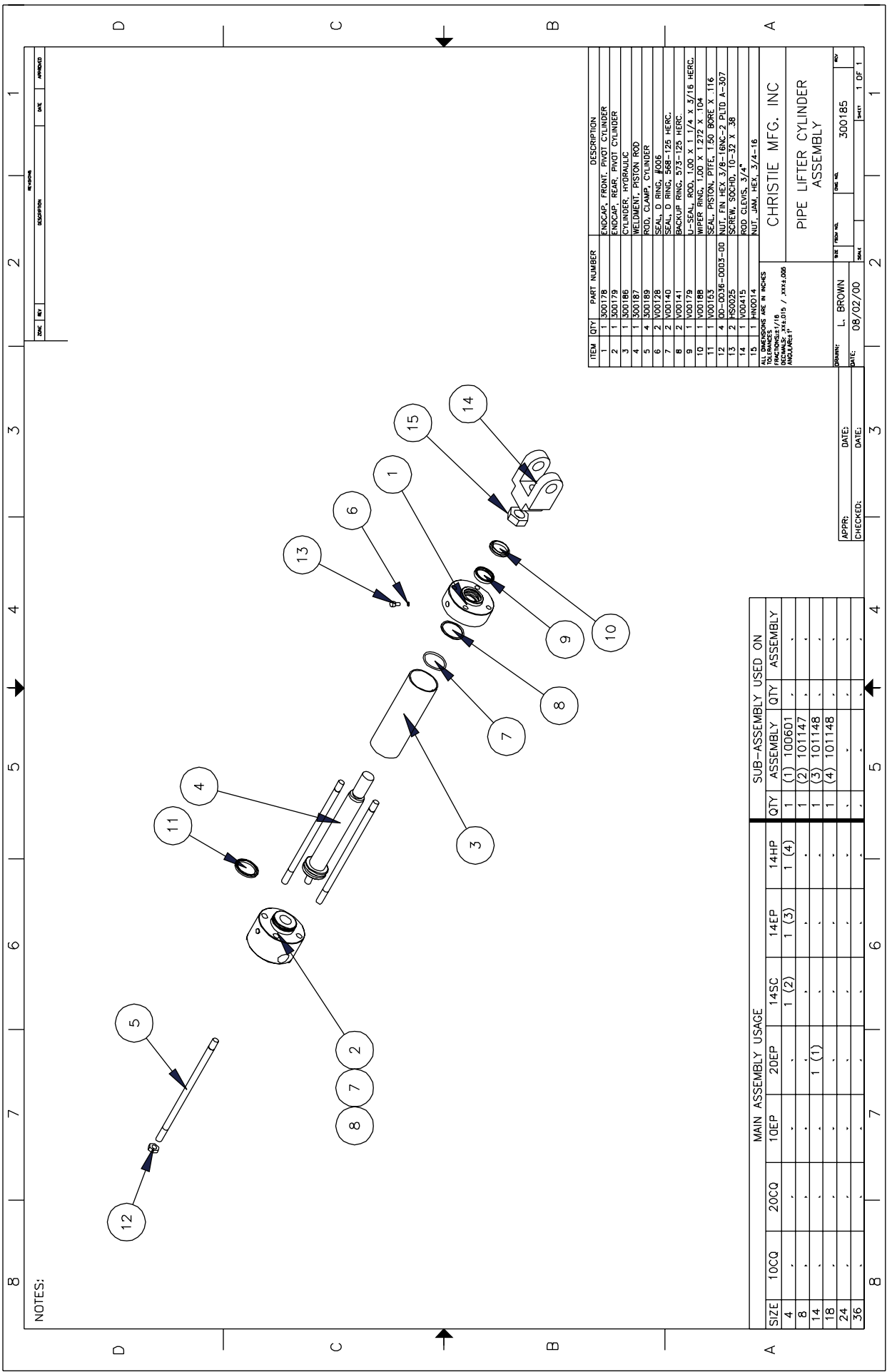
REV	DATE	BY	APP'D

REV	DATE	BY	APP'D

REV	DATE	BY	APP'D

REV	DATE	BY	APP'D

REV	DATE	BY	APP'D



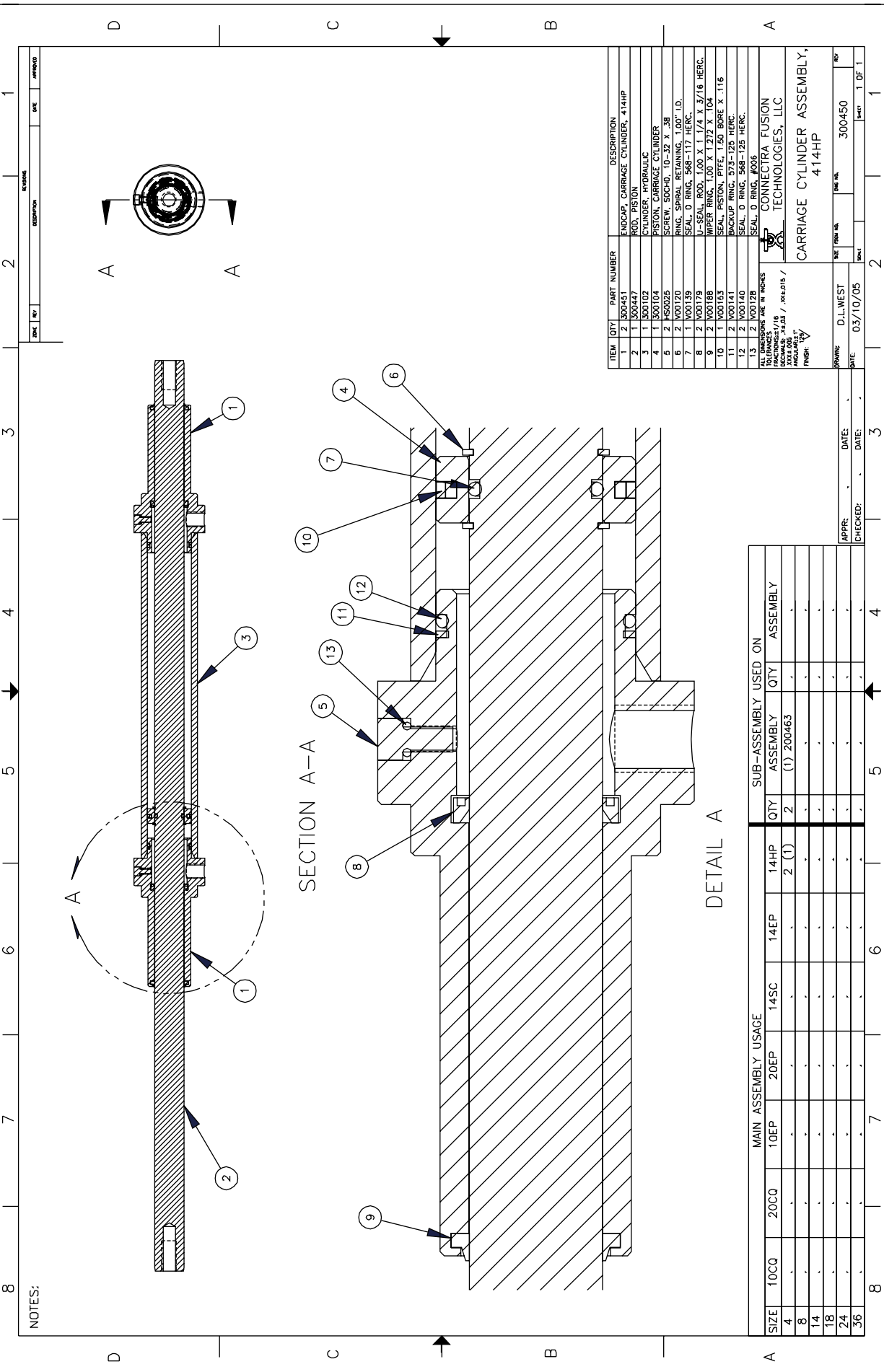
NOTES:

REV	DATE	DESCRIPTION	APPROVED

ITEM	QTY	PART NUMBER	DESCRIPTION
1	1	1500179	ENDCAP, FRONT, PISTON ROD CYLINDER
2	1	1500179	ENDCAP, REAR, PISTON ROD CYLINDER
3	1	1500186	CYLINDER, HYDRAULIC
4	1	1500187	WELDMENT, PISTON ROD
5	4	1500189	ROD, CLAMP, CYLINDER
6	2	1500128	SEAL, O RING, 1006
7	2	1500140	SEAL, O RING, 568-125 HERC.
8	2	1500141	BACKUP RING, 373-125 HERC.
9	1	1500179	J-SEAL, ROD, 1.00 X 1.74 X 3/16 HERC.
10	1	1500188	WIPER RING, 1.00 X 1.272 X .104
11	1	1500163	SEAL, PISTON, RTFE, 1.50 BORE X .116
12	4	1500036-0003-00	NUT, FIN HEX, 3/8-16NC-2, PLTD A-307
13	2	1500025	SCREW, SOCHD, 10-32 X .38
14	1	1500415	ROD, CLEVIS, 3/4"
15	1	1500014	NUT, JAN, HEX, 3/4-16

SIZE	MAIN ASSEMBLY USAGE				SUB-ASSEMBLY USED ON			
	10CQ	20CQ	10EP	14HP	QTY	ASSEMBLY	QTY	ASSEMBLY
4				1 (4)	1	(1) 100601	.	.
8				1 (5)	1	(2) 101147	.	.
14			1 (1)	.	1	(3) 101148	.	.
18				.	1	(4) 101148	.	.
24			
36			

DRAWN: L. BROWN		DATE: 08/02/00	SHEET: 1 OF 1
CHECKED:		DATE:	SHEET: 1 OF 1
APPROVED:		DATE:	SHEET: 1 OF 1
PART NO. 300185		REV. NO. 1	REV. DATE
CHRISTIE MFG. INC.			
PIPE LIFTER CYLINDER ASSEMBLY			



NOTES:

REV	DESCRIPTION	DATE	APPROVED

ITEM	QTY	PART NUMBER	DESCRIPTION
1	2	300451	ENDCAP, CARRIAGE CYLINDER, 414HP
2	1	300447	ROD, PISTON
3	1	300102	CYLINDER, HYDRAULIC
4	1	300104	PISTON, CARRIAGE CYLINDER
5	2	450025	SCREW, SOCHD, 10-32 X .38
6	2	100120	RING, SPIRAL RETAINING, 1.00" I.D.
7	1	100139	U-SEAL, ROD, 1.00 X 1.1/4 X 3/16 HRC.
8	2	100179	WIPER RING, 1.00 X 1.272 X .104
9	2	100188	SEAL, PISTON, PTFE, 1.50 BORE X .116
10	1	100153	BACKUP RING, 2.33-225 HRC.
11	2	100141	SEAL, O RING, 398
12	2	100128	SEAL, O RING, 225 HRC.
13	2	100129	SEAL, O RING, 398

SIZE	MAIN ASSEMBLY USAGE				SUB-ASSEMBLY USED ON		
	10CQ	20CQ	10EP	20EP	14SC	14EP	14HP
4						2 (1)	2 (1)
8							
14							
18							
24							
36							

DATE	DATE	DATE	DATE	DATE	DATE

DATE	DATE	DATE	DATE	DATE	DATE

DATE	DATE	DATE	DATE	DATE	DATE

DATE	DATE	DATE	DATE	DATE	DATE

DATE	DATE	DATE	DATE	DATE	DATE

DATE	DATE	DATE	DATE	DATE	DATE

DATE	DATE	DATE	DATE	DATE	DATE

DATE	DATE	DATE	DATE	DATE	DATE

DATE	DATE	DATE	DATE	DATE	DATE

DATE	DATE	DATE	DATE	DATE	DATE

DATE	DATE	DATE	DATE	DATE	DATE

DATE	DATE	DATE	DATE	DATE	DATE

DATE	DATE	DATE	DATE	DATE	DATE

DATE	DATE	DATE	DATE	DATE	DATE

DATE	DATE	DATE	DATE	DATE	DATE

DATE	DATE	DATE	DATE	DATE	DATE

DATE	DATE	DATE	DATE	DATE	DATE

DATE	DATE	DATE	DATE	DATE	DATE

DATE	DATE	DATE	DATE	DATE	DATE

DATE	DATE	DATE	DATE	DATE	DATE

DATE	DATE	DATE	DATE	DATE	DATE

DATE	DATE	DATE	DATE	DATE	DATE

DATE	DATE	DATE	DATE	DATE	DATE

DATE	DATE	DATE	DATE	DATE	DATE

DATE	DATE	DATE	DATE	DATE	DATE

DATE	DATE	DATE	DATE	DATE	DATE

DATE	DATE	DATE	DATE	DATE	DATE

DATE	DATE	DATE	DATE	DATE	DATE

DATE	DATE	DATE	DATE	DATE	DATE

DATE	DATE	DATE	DATE	DATE	DATE

DATE	DATE	DATE	DATE	DATE	DATE

DATE	DATE	DATE	DATE	DATE	DATE

DATE	DATE	DATE	DATE	DATE	DATE

DATE	DATE	DATE	DATE	DATE	DATE

DATE	DATE	DATE	DATE	DATE	DATE

DATE	DATE	DATE	DATE	DATE	DATE

DATE	DATE	DATE	DATE	DATE	DATE

DATE	DATE	DATE	DATE	DATE	DATE

DATE	DATE	DATE	DATE	DATE	DATE

DATE	DATE	DATE	DATE	DATE	DATE

DATE	DATE	DATE	DATE	DATE	DATE

DATE	DATE	DATE	DATE	DATE	DATE

DATE	DATE	DATE	DATE	DATE	DATE

DATE	DATE	DATE	DATE	DATE	DATE

DATE	DATE	DATE	DATE	DATE	DATE

DATE	DATE	DATE	DATE	DATE	DATE

DATE	DATE	DATE	DATE	DATE	DATE

DATE	DATE	DATE	DATE	DATE	DATE

DATE	DATE	DATE	DATE	DATE	DATE

DATE	DATE	DATE	DATE	DATE	DATE

DATE	DATE	DATE	DATE	DATE	DATE

DATE	DATE	DATE	DATE	DATE	DATE

DATE	DATE	DATE	DATE	DATE	DATE

DATE	DATE	DATE	DATE	DATE	DATE

DATE	DATE	DATE	DATE	DATE	DATE

DATE	DATE	DATE	DATE	DATE	DATE

DATE	DATE	DATE	DATE	DATE	DATE

DATE	DATE	DATE	DATE	DATE	DATE

DATE	DATE	DATE	DATE	DATE	DATE

DATE	DATE	DATE	DATE	DATE	DATE

DATE	DATE	DATE	DATE	DATE	DATE

DATE	DATE	DATE	DATE	DATE	DATE

DATE	DATE	DATE	DATE	DATE	DATE

DATE	DATE	DATE	DATE	DATE	DATE

DATE	DATE	DATE	DATE	DATE	DATE

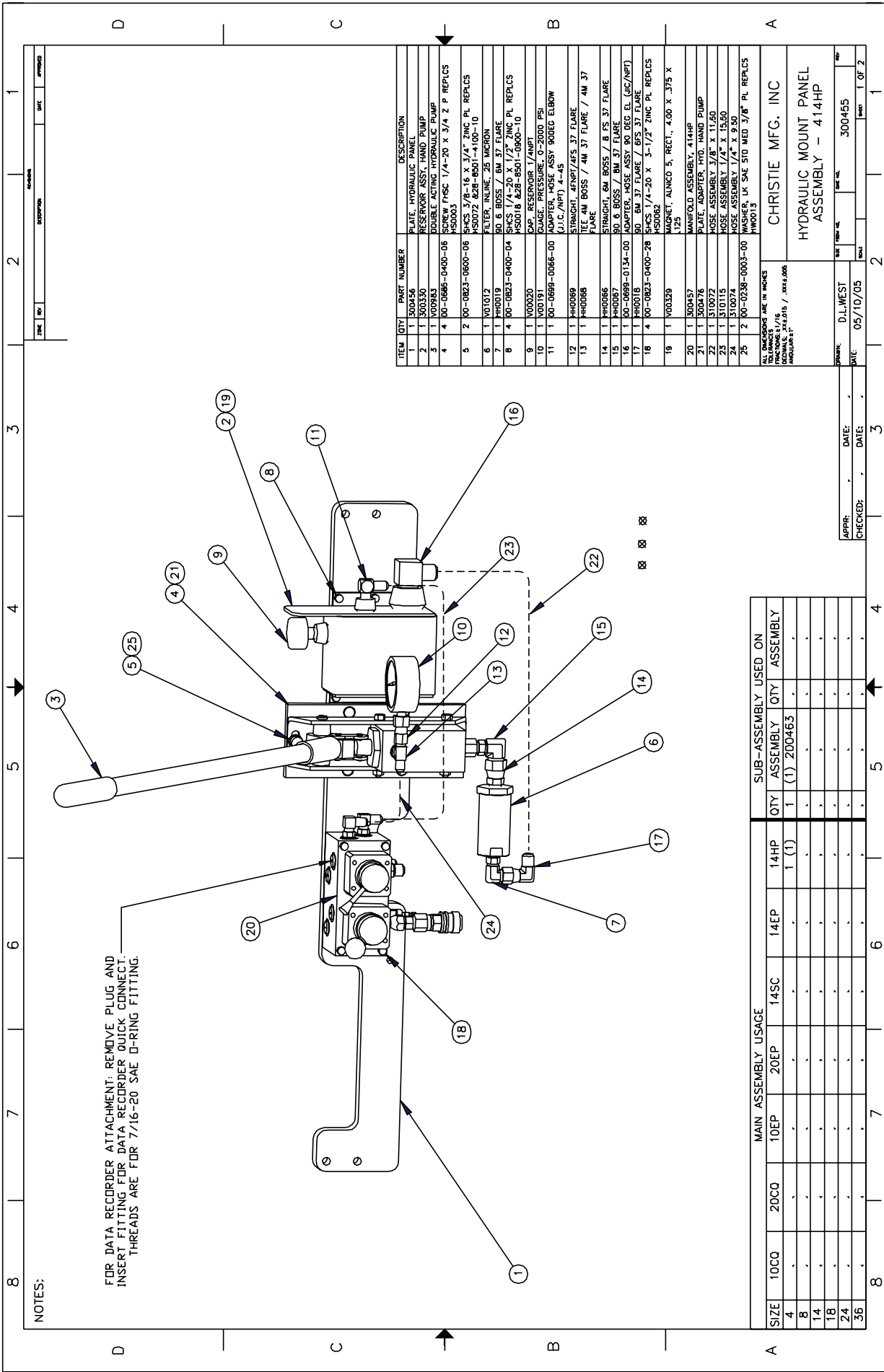
DATE	DATE	DATE	DATE	DATE	DATE

DATE	DATE	DATE	DATE	DATE	DATE

DATE	DATE	DATE	DATE	DATE	DATE

DATE	DATE	DATE	DATE	DATE	DATE

DATE	DATE	DATE	DATE	DATE	DATE
			</		



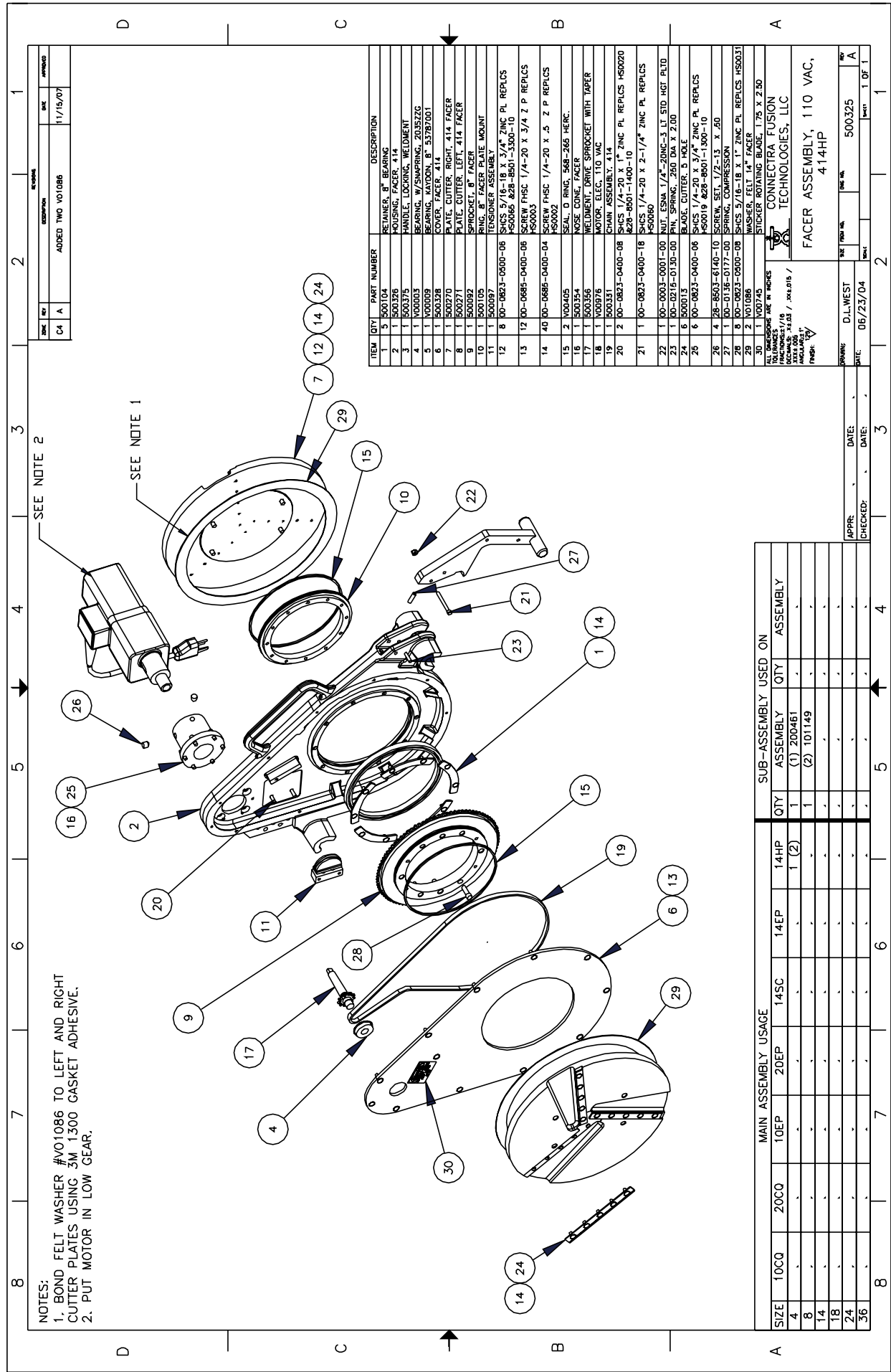
REV	DATE	DESCRIPTION	BY	APP'D

ITEM	QTY	PART NUMBER	DESCRIPTION
1	1	500456	PLATE, HYDRAULIC PANEL
2	1	300330	RESERVOIR ASSY, HAND PUMP
3	1	V00983	DOUBLE ACTING HYDRAULIC PUMP
4	4	00-0685-0400-06	SCREW FHS 1/4-20 X 3/4 Z P REPLCS
5	2	00-0823-0600-06	HOSE 3/8" ID X 1/2" O.D. X 10' ZINC PL. REPLCS
6	1	V01012	ELFER, INLINE, 25, MICRO, 10
7	1	H01019	O, 6 BOSS / 6M, 37 FLARE
8	4	00-0823-0400-04	SHCS 1/4-20 X 1/2" ZINC PL. REPLCS
9	1	V00020	CAP, RESERVOIR 1/4NPT
10	1	V00191	GUAGE, PRESSURE, 0-2000 PSI
11	1	00-0689-0065-00	ADAPTER, HOSE ASSY 90DEG ELBOW (J.I.C./NPT) 4-4S
12	1	H00069	STRAIGHT, 4FNPT/4FS, 37 FLARE
13	1	H00068	TEE, 4M BOSS / 4M, 37 FLARE / 4M, 37 FLARE
14	1	H00066	STRAIGHT, 6M BOSS / 6, FS, 37 FLARE
15	1	H00069-0134-00	O, 6 BOSS / 6M, 37 FLARE
16	1	H00069-0134-00	ADAPTER, HOSE ASSY 90 DEG EL. (JIC/NPT)
17	1	H00018	HOSE, 3/8" ID X 1/2" O.D. X 10' ZINC PL. REPLCS
18	4	00-0823-0400-28	SHCS 1/4-20 X 5-1/2" ZINC PL. REPLCS
19	1	V00329	MAGNET, ALNICO 5, RECT., 4.00 X .375 X .125
20	1	500457	MANIFOLD ASSEMBLY, 414HP
21	1	500476	PLATE, ADAPTER, HYD. HAND PUMP
22	1	310072	HOSE ASSEMBLY 3/8" X 11.50
23	1	310115	HOSE ASSEMBLY 1/2" X 15.50
24	1	310674	HOSE ASSEMBLY 1/4" X 9.50
25	2	00-0238-0063-00	WASHER, LK SAE STD MED 3/8" PL. REPLCS

MAIN ASSEMBLY USAGE				SUB-ASSEMBLY USED ON							
SIZE	10CQ	20CQ	10EP	14EP	14HP	14SC	20EP	QTY	ASSEMBLY	QTY	ASSEMBLY
4	1 (1)	.	.	1	(1) 200463	.	.
8
14
18
24
36

ALL DIMENSIONS ARE IN INCHES TOLERANCES UNLESS OTHERWISE SPECIFIED: DIMENSIONS .125-1.000 ± .005 DIMENSIONS 1.000-1.999 ± .006 DIMENSIONS 2.000-4.999 ± .008 DIMENSIONS 5.000-9.999 ± .010 DIMENSIONS 10.000-49.999 ± .015 DIMENSIONS 50.000-99.999 ± .020 DIMENSIONS 100.000-499.999 ± .030 DIMENSIONS 500.000-999.999 ± .040 DIMENSIONS 1000.000-9999.999 ± .060		DATE: 05/10/05 D.L. WEST APPR:
PART NO. 300455 REV. 1 OF 2	DATE:	

CHRISTIE MFG. INC.
 HYDRAULIC MOUNT PANEL
 ASSEMBLY - 414HP



NOTES:
 1. BOND FELT WASHER #W01086 TO LEFT AND RIGHT CUTTER PLATES USING 3M 1300 GASKET ADHESIVE.
 2. PUT MOTOR IN LOW GEAR.

ITEM	QTY	PART NUMBER	DESCRIPTION
1	5	500104	RETAINER, B ⁸ BEARING
2	1	500126	HOUSING, FACER, 414
3	1	500128	HANDLE, LOCKING, 201
4	1	500133	WELDMENT DRIVE SPROCKET
5	1	500169	BEARING, WAGON, B ⁸ , 32722010
6	1	500328	COVER, FACER, 414
7	1	500270	PLATE, CUTTER, RIGHT, 414 FACER
8	1	500271	PLATE, CUTTER, LEFT, 414 FACER
9	1	500192	SPROCKET, B ⁸ FACER
10	1	500105	RING, B ⁸ FACER PLATE MOUNT
11	1	500087	TENSIONER ASSEMBLY
12	8	500093-0500-08	SHCS 5/16"-18 X 3/4" ZINC PL REPLCS #50086 #28-#501-3300-10
13	12	00-0685-0400-08	SCREW FHSC 1/4"-20 X 3/4 Z P REPLCS #50085
14	40	00-0685-0400-04	SCREW FHSC 1/4"-20 X .5 Z P REPLCS #50084
15	2	500105	SCREW, WAGON
16	1	500164	WASHER, RING, 548-265 HRC.
17	1	500164	WASHER, CONE FACER
18	1	500164	WELDMENT DRIVE SPROCKET WITH TAPER
19	1	500331	MOTOR, ELEC, 110 VAC
20	2	00-0823-0400-08	CHAIN ASSEMBLY, 414
21	1	00-0823-0400-18	SHCS 1/4"-20 X 2-1/8" ZINC PL REPLCS #50080
22	1	00-0003-0001-00	NUT, ESMA 1/4"-ZINC-3 LT STD HGT PLTD
23	1	00-0215-0130-00	PN, SPRING, .260 DIA X 2.00
24	6	500013	BLADE, CUTTER, 5 HOLE
25	6	00-0823-0400-08	SHCS 1/4"-20 X 3/4" ZINC PL REPLCS #50019 #28-#501-1300-10
26	4	28-#503-6100-10	SCREW, SELF-DRILLING, 1/4" X .20
27	1	500108-0197-00	SCREW, SELF-DRILLING, 1/4" X .20
28	5	00-0823-0500-08	SHCS 1/4"-20 X 1/2" ZINC PL REPLCS #50031
29	2	W01086	WASHER FELT 1/4" FACER
30	1	W01045	SPACER ROTATING BLADE, 1.75 X 2.50

SIZE	MAIN ASSEMBLY USAGE					SUB-ASSEMBLY USED ON				
	10CQ	20CQ	10EP	20EP	145C	14EP	14HP	ASSEMBLY	QTY	ASSEMBLY
4	-	-	-	-	-	-	-	-	-	-
8	-	-	-	-	-	-	-	(1) 200461	1	(1) 200461
14	-	-	-	-	-	-	-	(2) 101149	1	(2) 101149
18	-	-	-	-	-	-	-	-	-	-
24	-	-	-	-	-	-	-	-	-	-
36	-	-	-	-	-	-	-	-	-	-

CONNECTIRA FUSION
 TECHNOLOGIES, LLC
 FACER ASSEMBLY, 110 VAC,
 414HP

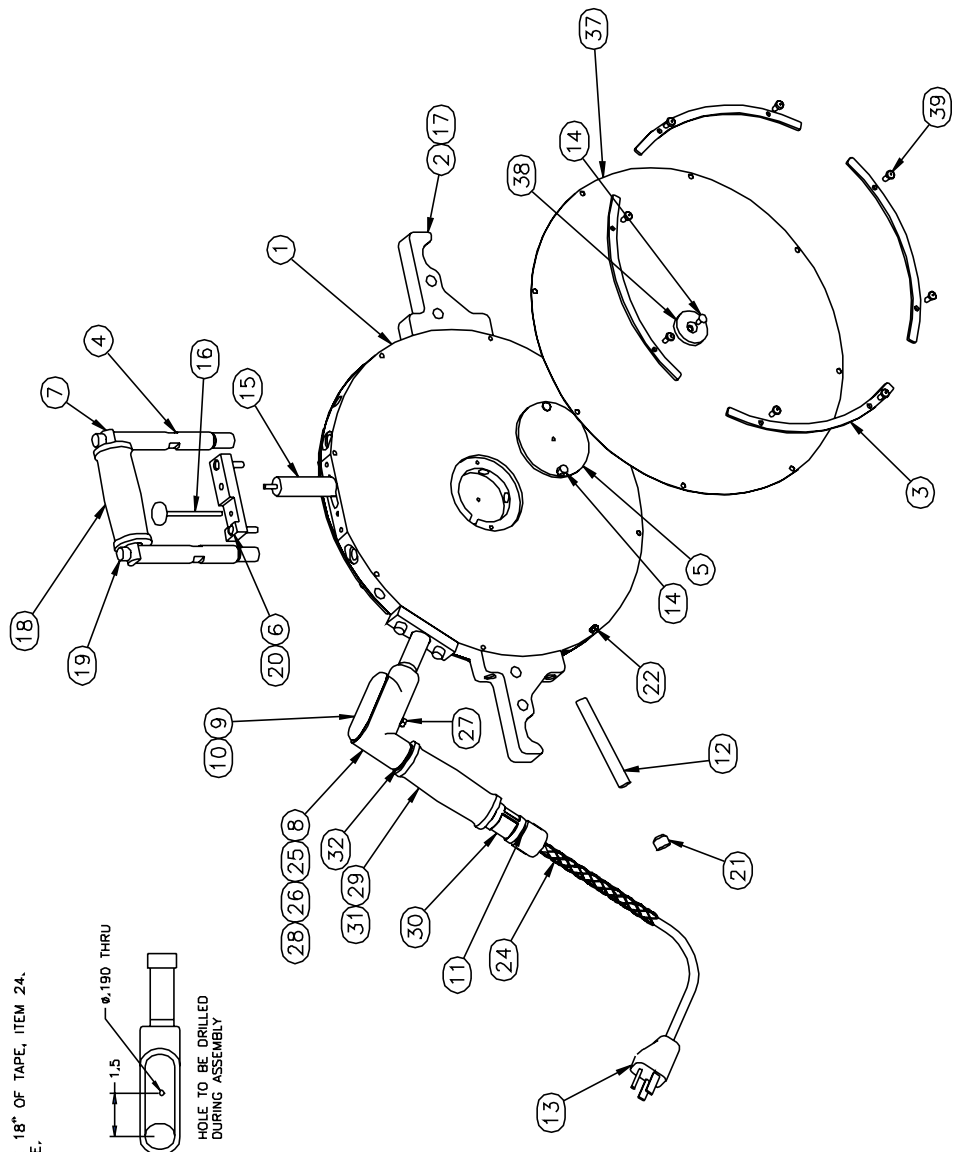
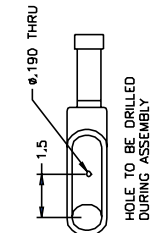
APPR: D.L.WEST
 DATE: 06/23/04
 CHECKED: _____
 DATE: _____

REV. PART NO. 500325
 REV. 1 OF 1

REV	DESCRIPTION	DATE	APPROVED
CA	ADDED TWO VO1086	11/15/07	

8 7 6 5 4 3 2 1

NOTES:
 1. USE APPROX 18" OF TAPE, ITEM 24.
 2. FINISH: NONE.



REV	DESCRIPTION	DATE	APPROVED
A	REPLACED V00568/V00234 WITH 28-8404-0700-10	06/04/02	
B	CHANGED V00033 TO 00-5005-2600-86, ADDED 00-5005-2600-87	12/22/04	
C	ADDED HANDLE	06/20/07	
D	REMOVED TWO 600205, ADDED EIGHT 600317, TWO 600284, TWO 600066 AND SIXTEEN 00-3336-1000-07	01/23/08	

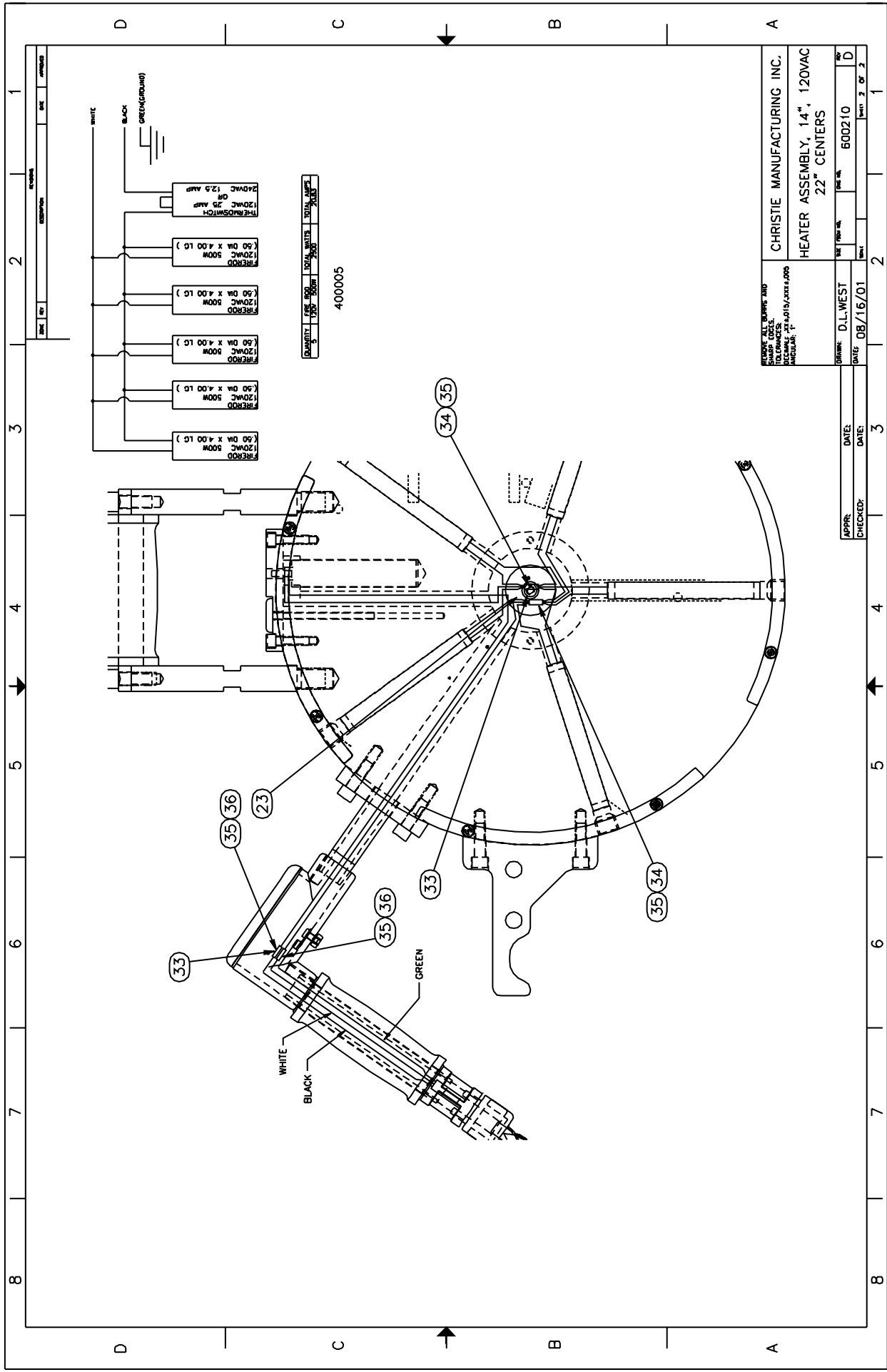
ITEM QTY	PART NUMBER	DESCRIPTION
1	600213	CORE, HEATER, 14"
2	600008	EAR, HEATER
3	600317	WEDDING RING, SECTIONAL 1/4"
4	600004	UPRIGHT, HANDLE
5	600214	DISC, CENTER, HEATER, 14"
6	600006	COVER, THERMOSWITCH
7	600007	MOUNT, HANDLE
8	600284	WIRE OUTLET ASSY 1/2"
9	V00065	GASKET, OUTLET, 1/2" 571
10	V00042	COVER, OUTLET, 1/2" 170F
11	V00033	CONNECTOR, CORD, .50-62
12	28-8401-0550-10	HEATER, CARTRIDGE, 120V, 500W-5 X 4.00
13	28-8404-0700-10	CORD, SET(1/3) W/MOLDED PLUG
14	HS0045	SCREW, FLND, BRASS, 10-24 X .44
15	V00169	THERMOSWITCH, DARGEL, 17052-0
16	V00168	THERMOMETER, 4" X 1/4"-28, 0-750 F
17	00-0823-0500-08	SHCS 5/16-18 X 1" ZINC PL. REPLCS HS0031
18	V00069	HANDLE, WOOD, 1410
19	00-0823-0600-08	SHCS 3/8-16 X 1" ZINC PL. REPLCS HS0027 & 28-8501-4200-10
20	00-0823-0400-08	SHCS 1/4-20 X 1" ZINC PL. REPLCS HS0020 & 28-8501-1400-10
21	HS0015	SCREW, SET, 5/8-11 X .50
22	V00642	HELICOIL 10-24 X 285
23	V00673	TUBING, HIGH TEMP, #6 SUTLEX, GRADE C, WHITE
24	00-5005-2600-87	WIRE MESH STRAIN RELIEF
25	28-8408-0610-10	ROUND NON-INSULATED EYELET
26	00-3365-0800-12	SCREW, RD HD, #8-32 X .375" LG
27	00-0003-0012-00	NUT, B-32 UNC, ESAVA
28	00-1300-0005-00	WASHER, #8 STAR
29	V01039	APPLIPL, 1/2" NPT, 5 1/2" LG, GALVANIZED
30	V01040	COUPLING, 1/2" NPT, GALVANIZED
31	R00093	HANDLE, MODIFIED
32	28-8153-0100-10	WASHER, HEATER HANDLE, TD-3
33	28-8412-0400-14	TAPE, FIBERGLASS (24")
34	28-8408-0100-10	CONNECTOR, 10-12 GA
35	28-8412-0100-10	INSULATING SLEEVE, 1.63 LG
36	28-8408-0300-10	CONNECTOR, 14-16 GA
37	600284	SHIELD, FABRIC, 14" HEATER CENTER DISC
38	600066	CENTER DISC
39	00-3336-1000-07	SCREW, PANHP, 10-24 X 7/16 LG

SIZE	MAIN ASSEMBLY USAGE				SUB-ASSEMBLY USED ON			
	10CP	20CP	10HP	20HP	QTY	ASSEMBLY	QTY	ASSEMBLY
14	1	1	1	1	1	(1) 100420		
18					1	(2) 100423		
24					1	(3) 100421		
36								

DATE	DATE	DATE	DATE
08/16/01			

APPR: D.L.WEST
 CHECKED: DATE: DATE: DATE: DATE:

REV	DESCRIPTION	DATE	BY
1	CHRISTIE MANUFACTURING INC.		
2	HEATER ASSEMBLY, 14", 120VAC 22" CENTERS		
3			
4			



CHRISTIE MANUFACTURING INC.
 HEATER ASSEMBLY, 14", 120VAC
 22" CENTERS

APPR: D.L.WEST
 CHECKED: DATE: 08/16/01
 DATE: 08/16/01

600210
 SHEET 2 OF 2